



# **SILENCIO**

**SILENT & INTELLIGENT PRESSURE BOOSTING**



**INTELLIGENT  
CONTROLLER**



## SALIENT FEATURES



**Super Silent**  
More than 70%  
quieter than peers



**Intelligent Frequency  
Conversion**  
Energy Saving more than 50%



**Multi-frequency**  
50 – 60 Hz  
available



**Interactive Interface**  
Both auto and manual  
mode for pressure settings



**Constant Water  
Pressure**  
Outlet pressure  
remains constant



**Compact Size**  
Space saving and  
easy installation



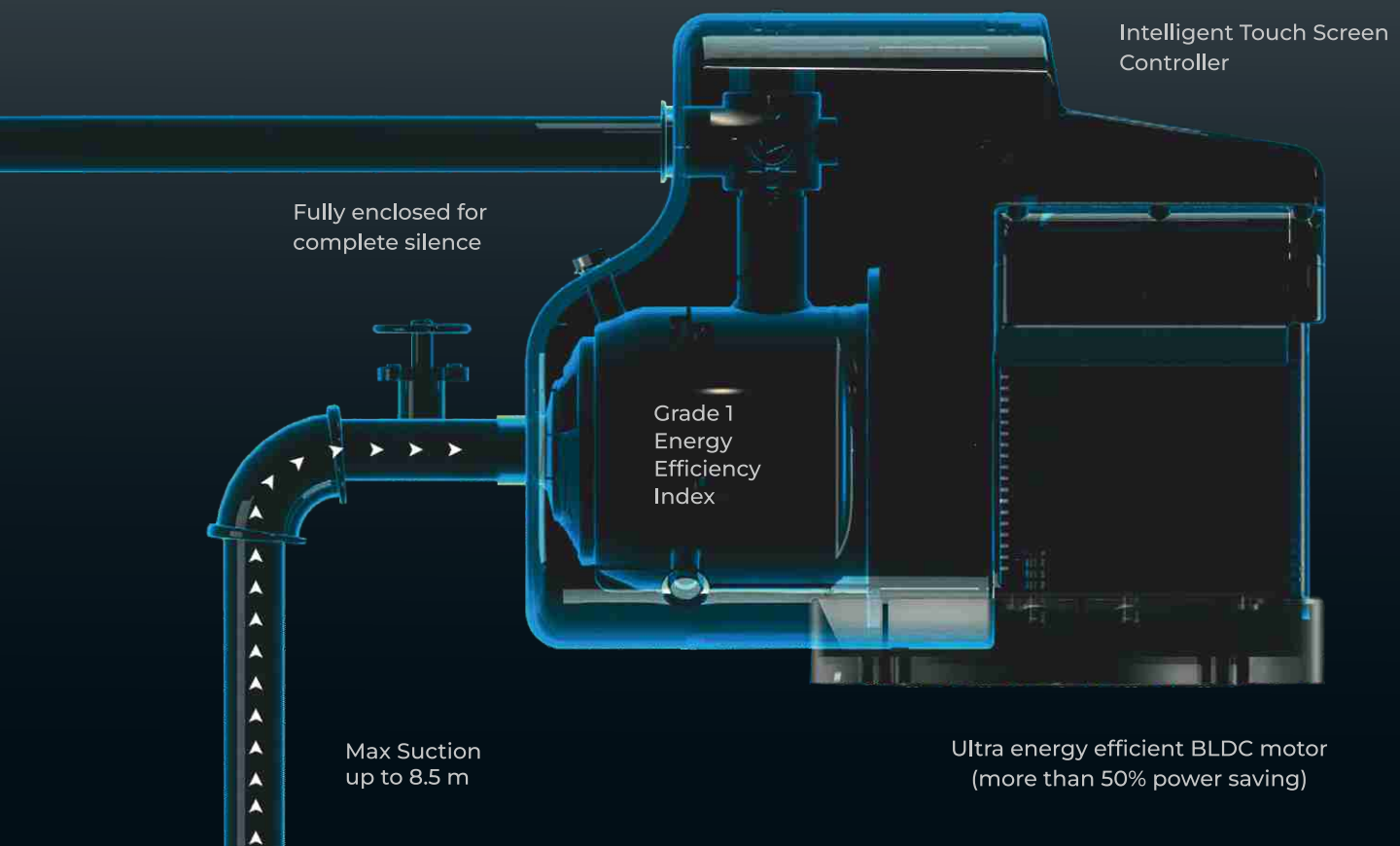
**Wide Operating  
Band**  
Voltage ranging from  
160- 250 volts



**Powerful**  
Superior flow and  
discharge

## APPLICATIONS

- Villas and Residential Bungalows
- Small Commercial Establishments
- Circulating Pressure Boosting
- Individual Row Houses



# SILENCIO SERIES

## INTELLIGENT PERMANENT MAGNET FREQUENCY CONVERSION SELF-PRIMING PUMP



SILENCIO 1100

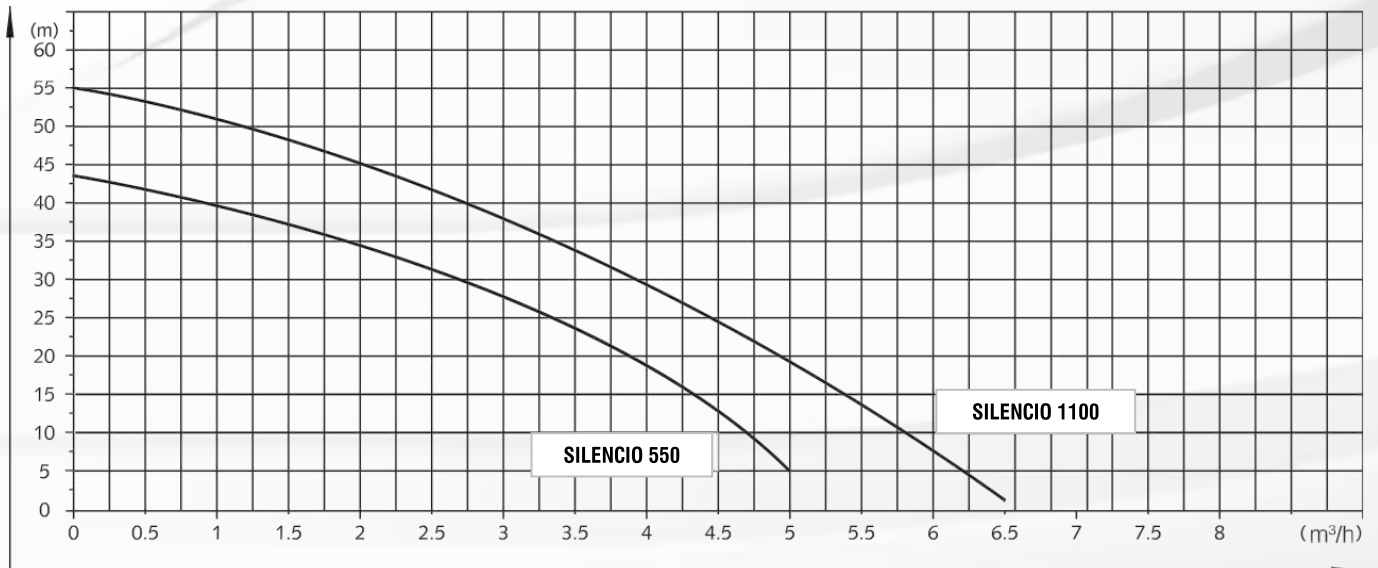


SILENCIO 550

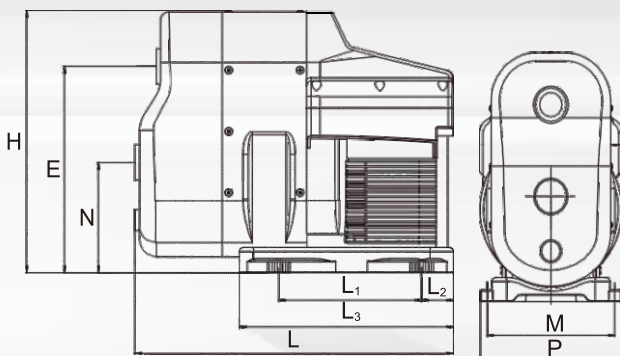
### TECHNICAL DATA

Model	Power Range (W)	Max.Head (m)	Max.Flow (m <sup>3</sup> /h)	Max. Suc, (m)	Max. Speed (r.p.m)	Voltage (V)	Frequency (Hz)	Inlet & Outlet (inch)
Silencio 1100	500 - 1100	53	6	8.5	3300	220±20%	50/60	1"/1"
Silencio 550	100 - 550	45	5	8.5	5200	220±20%	50/60	1"/1"

### PERFORMANCE CURVE



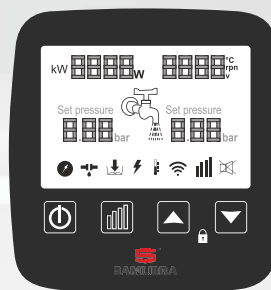
### INSTALLATION DIMENSION



### TECHNICAL DATA

Model	D1	D2	N	E	L1	L2	L3	L	H	M	P	G.W(kg)
Silencio 1100	G1	G1	125	290	180	60	290	445	355	243	263	16.5

### INTELLIGENT CONTROLLER



- 🔊 Output pressure error
- 🚰 Water leakage
- ⚡ Water shortage
- ⚡ Voltage protection
- 🌡️ Temperature protection
- 📶 WIFI
- 📶 Water pressure indicator
- 🔊 Low noise

### MOTOR

- Totally enclosed, fan-cooled,
- 2-pole le4 permanent magnet motors
- Voltage: 180V~260V
- Enclosure class: Ip44
- Insulation class: F

### WORK CONDITION

- Liquid temperature 0°C to +60°C
- Ambient temperature 0°C to +40°C
- PH of liquid 4~10



 **India Operations :**

Samudra Pumps (India) Pvt Ltd  
Registered Office :  
1st Floor, Door No.737/2, Sai Aashrya,  
Puliyakulam Road, Puliyakulam,  
Coimbatore – 641 045, Tamilnadu, India

GSTIN: 33ABDCS4230R1Z3 | CIN: U31909TZ2020FTC033500

 +91 422 498 2255     [info@samudrapumps.com](mailto:info@samudrapumps.com)

 **Headquarters :**

Samudra Pte Ltd  
1 Keong Saik Road,  
Unit 10 - The Working Capitol  
Singapore 089109

 +65 6813 2111     [info@samudra.net](mailto:info@samudra.net)

